

### Features

- 60"L x 36"W x 20"H.
- Extra width enhances comfort.
- Five adjustable whirlpool jets for maximum bather comfort.
- Innovative technology enables this pump to provide a strong, steady level of hydromassage.
- Integral apron for easy alcove installation and pump access.
- Includes integral flange to simplify installation and prevent the possibility of water damage behind the wall.
- Textured bottom surface.

### Material

- Acrylic.

### Hydrotherapy

- Whirlpool.

### Installation

- Alcove.

### Recommended Products/Accessories

- K-7161-AF 1-1/2" adjustable pop-up drain above- or through-floor
- K-24916 Wireless Music Kit
- K-1491 Bath/Whirlpool Pillow
- K-1601 Bath/whirlpool footstop, removable
- K-7213 27" Cable Bath Drain
- K-7214 27" Cable Bath Drain
- K-37380 30" Rough-in Cable Bath Drain
- K-37383 Rough-in cable bath drain, PVC, 30" cable with tubing
- K-37386 rough-in cable drain, PVC, 30" cable
- K-23726 Drain treatment
- K-23732 Tub & shower cleaner
- K-7265 Brass toe tap bath drain
- K-7259 Brass toe tap bath drain
- K-7166-AF Bath Drain



### Codes/Standards

ASME A112.19.7/CSA B45.10  
CSA B45.5/IAPMO Z124  
ASTM E162  
ASTM E662  
UL 1795




### KOHLER® Plastic Baths and Receptors Lifetime Limited Warranty KOHLER® Hydrotherapy Components Five-Year Limited Warranty

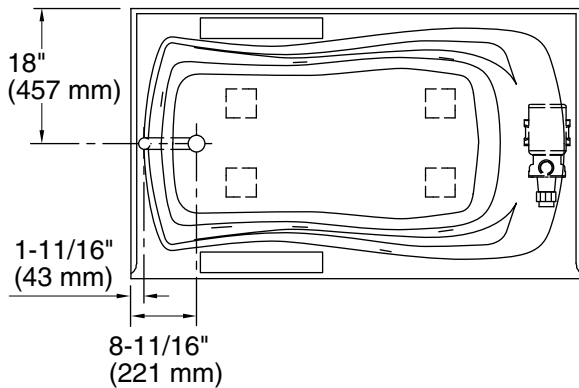
See website for detailed warranty information.

### Available Colors/Finishes

*Color tiles intended for reference only.*

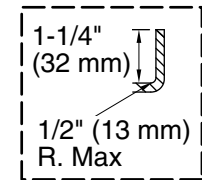
Color	Code	Description
-------	------	-------------

	0	White
	96	Biscuit
	NY	Dune

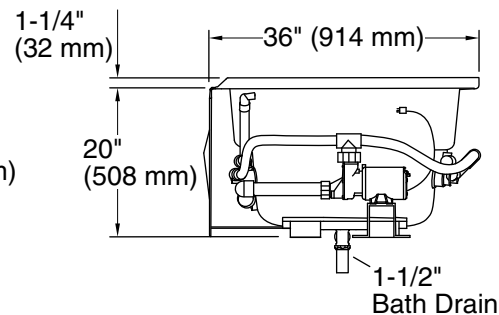
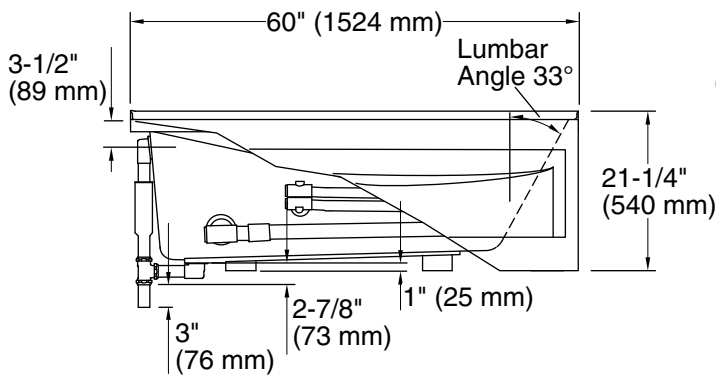


No change in measurements if connected with drain illustrated. (K-7161-AF)

□ Recommended Faucet Location



Integral Flange Detail



### Required Electrical Service

One dedicated circuit required, protected with Class A Ground-Fault Circuit-Interrupter (GFCI). Outside North America, this device may be known as a Residual Current Device (RCD).

Pump: 120 V, 15 A, 60 Hz

### Technical Information

All product dimensions are nominal.

Installation: Three-wall alcove

Drain location: Left

Basin area, bottom: 46" x 24" (1168 mm x 610 mm)

Basin area, top: 54" x 27" (1372 mm x 686 mm)

Weight: 105 lbs (47.6 kg)

Minimum floor load: 44 lbs/ft<sup>2</sup> (214.8 kg/m<sup>2</sup>)

Water depth: 14" (356 mm)

Water capacity: 63 gal (238.5 L)

Electrical component rating: Pump: 120 V, 7.5 A, 60 Hz

Pump speed: Single

### Notes

Measure your actual product for rough-in details.

Install this product according to the installation instructions.

The hot water supply should be 70% of the capacity of the bath or greater. Installations will vary.

If installing a rim-mount faucet, make sure there is no interference above or below the deck before drilling any holes.